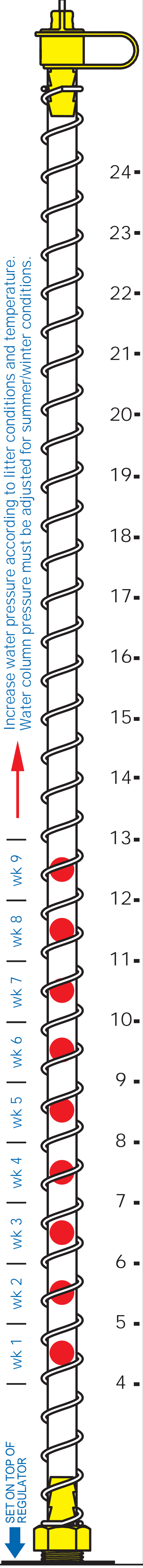




Phone: 423 709.1000 Toll-Free Fax: 866 289.3237
www.lubingusa.com

OptiGROW DRINKER SETTINGS

For best results keep water pressure as high as possible without wetting the floors.



Part Number 7600600700

WATERING RECOMMENDATIONS

Water consumption can be affected by climate conditions and nipple height. Therefore, it is good practice to pay close attention to litter conditions and make adjustments accordingly. If floors are wet the water column may be too high or the drinker line is too low. If floors are dry the water column may be too low.

Make sure litter is level and adjust drinker height at every winch drop.

- DAY 1**
Set nipples at eye level with the birds.
- DAY 2**
Raise nipple just above eye level.
- DAY 3**
Raise nipple to 45 degrees above eye level.
- DAY 3 - END**
Maintain nipple at 45 degrees above eye level.

For optimum weight gains ensure the nipple is high enough (min. 45 degrees) so the bird extends its neck to drink. Low drinker lines will decrease water consumption and negatively affect bird weight.

For birds over 7 weeks of age, keep lines at comfortable level for birds to be able to drink .

WEEK 9

WEEK 8

WEEK 7

WEEK 6

WEEK 5

WEEK 4

WEEK 3

WEEK 2

WEEK 1

DAY 1

Measure Drinker Height from Litter to Bottom of Pipe.

These recommendations are provided only as guidelines. Final recommendations on management may be provided by the integrator.

4050 OptiGROW Management Ruler

NOV 2014